

KRISBOW®

MACHINERY



SCAN
FOR OUR LATEST VIDEO



SCAN
FOR BROCHURE & CATALOG



SCAN
FOR OUR STORE LOCATION

DRILL MACHINE



DRILL PRESS

Included Accessories :

1. Drill Chuck With Key
2. Drill Chuck Arbor
3. Drift Key
4. Drill Chuck Safety Guard

Max. Drilling Cap 13mm



10063882

Max. Drilling Cap 13mm



10063883

Max. Drilling Cap 16mm



10063884

Max. Drilling Cap 16mm



10063885

Max. Drilling Cap 25mm



10063886

Features :

- On/Off Switch with Emergency Stop
- Solid Casting
- Tilting Work Table

Article No.	Model No.	Description	Table size (L x W) (mm)	Unit size (L x W x H) (mm)	GW/NW (kg)
10063882	ORDP1320	Drill Press 13 x 200mm DD1320CA	160 x 160	270 x 460 x 580	20 / 19
10063883	ORDP1335	Drill Press 13 x 350mm DD1335CA	200 x 195	310 x 570 x 830	37 / 36
10063884	ORDP1639	Drill Press 16 x 390mm DD1639CA	270 x 270	600 x 350 x 990	52 / 49
10063885	ORDP1678	Drill Press 16 x 780mm DD1678CA	270 x 270	600 x 350 x 1570	56 / 53
10063886	ORDP2572	Drill Press 25 x 725mm DD2572CA	330 x 330	400 x 700 x 1680	93 / 90



GRINDER MACHINE



DRILL GRINDER



10119230



10119231

Optional Accessories Diamond Wheel:



10139409
for 10119230



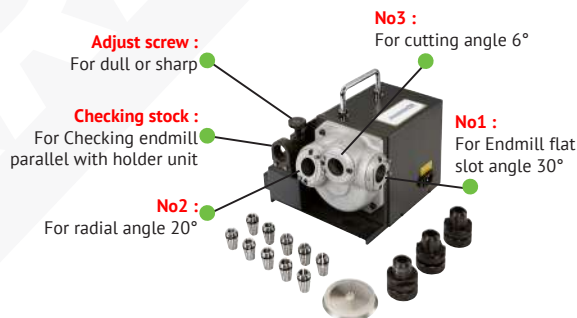
10190557
for 10119231

Features :

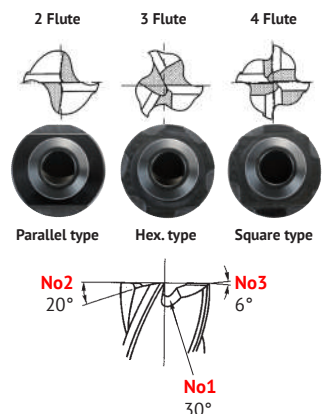
- Simple setting
- Fast & constant invariable grinding
- Highly efficient

Article No.	10119230	10119231
Model No.	ORDG1301	ORDG3001
Description	ER 20 Precision Drill Grinder Set (11pcs)	ER 40 Precision Drill Grinder Set (14pcs)
Specification		
Motor (kW / V / Ph)	0.18 / 220 / 1	0.45 / 220 / 1
Grinding Wheel Speed (rpm)	5300	5000
Drill Diameter (mm)	Ø2 - Ø13	Ø3 - Ø30
Angle of the tip sharpening (°)	90° - 135°	90° - 145°
Dimension (L x W x H) (mm)	310 x 180 x 190	450 x 240 x 270
Weight (kg)	9.5	33

ENDMILL GRINDER



Tool holder :



Features :

- Simple setting
- Fast & constant invariable grinding
- Highly efficient

Article No.	10020247	10008909
Model No.	OREG1301	OREG2501
Description	ER-20 Precision Endmill Grinder Set 4-13mm (10pcs)	ER-40 Precision Endmill Grinder Set 12-25mm (6pcs)
Specification		
Motor (kW / V / Ph)	0.4 / 220 / 1	1 / 220 / 1
Motor Speed (rpm)	6000	4300
Endmill Diameter (mm)	Ø4, Ø5, Ø6, Ø7, Ø8, Ø9, Ø10, Ø11, Ø12, Ø13	Ø12, Ø16, Ø18, Ø20, Ø25
Cutting Angle (°)	6°	6°
Grind Wheel	- SDC 300 x 1 - SDC 270 x 1	SDC 150 x 1
Dimension (L x W x H) (mm)	320 x 260 x 300	365 x 293 x 345
Weight (kg)	17	31

WOOD WORKING



SCROLL SAW



Accessories Included:



- Features :**
- Saw adapter
 - Flexible shaf
 - Gooseneck lamp

Optional Accessories:



Blade (10082261/10082240)

Article No.	10055520
Model No.	ORSS1602
Description	Scroll Saw 16" 90W 220V
Specification	
Motor (V/Hz/W)	230 / 50 / 90
Table Tilt (°)	0°- 45°
Max. Thickness Workpiece (mm)	50
Table Size (mm)	415 x 255
Dimension (L x W x H) (mm)	620 x 300 x 400
Weight (kg)	24

TABLE SAW



Optional Accessories:



Blade (10082118)



Blade (10082119)

- Features :**
- Blade tilt up to 45° via hand wheel
 - Easy operation
 - For D.I.Y use

Article No.	10063894
Model No.	ORTS8010
Description	Table Saw 80 x 10"
Specification	
Motor Power (V/Hz/W)	220/ 50/ 1500
Circular Saw Size	Ø254 (10 inch) 40T
Max. Cutting 90° (mm)	80
Max. Cutting 45° (mm)	55
Main Table Size (mm)	638 x 430
Dimension (L x W x H) (mm)	800 x 850 x 900
Weight (kg)	62

WOOD BANDSAW


Optional spare blade:
10199689 for 8 inch
10199691 for 10 inch

Features :

- Safety switch in upper and lower doors
- Include mitre gauge and rip fence
- Tilting table

Article No.	10433060	10433061
Model No.	ORBSM08	ORBSM10
Description	Wood Bandsaw 8"	Wood Bandsaw 10"
Specification		
Motor Power (V / Hz / W)	220 / 50 / 250	220 / 50 / 370
Bandsaw Wheel Dia (mm) (")	200 (8")	255 (10")
Max. Thickness Workpiece (mm)	80	100
Table Size (")	300 x 300	340 x 335
Blade Size (mm)	1400	1712
Dimension (L x W x H) (mm)	700 x 400 x 310	680 x 710 x 110
Weight (kg)	15.5	23

PLANNER THICKNESSER

Optional spare blade (10217417):


Article No.	10188402
Model No.	ORPTM1005
Description	Planner Thicknesser 10 x 5" 150W 220V
Specification	
Motor Power (V / Hz / W)	220 / 50 / 1500
Planing Table Size (mm)	920 x 263
Thicknessing Table Size (mm)	270 x 303
Max cutting depth (mm)	2
Cutter Block Speed (rpm)	9000
Cutting Knife (pcs)	2
Dimension (L x W x H) (mm)	954 x 494 x 483
Weight (kg)	31.5

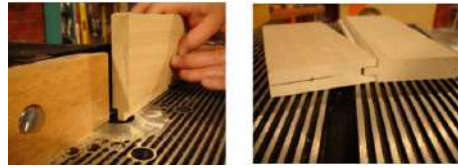
MINI LATHE
Optional Accessories:


Wood Turning Chisel Set
10190556

Features :

- Made of cast iron bed
- Compact design
- Include a gooseneck work light

Article No.	10051715
Model No.	ORML1218
Description	Mini Lathe 12" x 18" 600W 1PH
Specification	
Motor Power (V / Hz / W)	220 / 50 / 600
Max. Swing Over Bed (mm)	305
Max. Length (mm)	450
Speed (rpm)	680, 1000, 1430, 2000, 2800
Dimension (L x W x H) (mm)	800 x 350 x 450
Weight (kg)	38

BENCH ROUTER MACHINE


Article No.	10183263
Model No.	ORRM5001
Description	Bench Router Machine 1500W
Specification	
Motor Power (V / Hz / W)	220 / 50 / 1500
Speed (Rpm)	11500 - 24000
Router cutter shank Dia (mm)	6 / 8 / 12
Max cutter block Dia (mm)	50
Table size (mm)	610 x 360
Extention table (mm)	210 x 360
Dimension (L x W x H) (mm)	1030 x 360 x 311
Weight (kg)	23

WOOD WORKING
DRUM SANDER

Features :

- Rubber feed mat
- Handle and wheel kit included for easy moving unit
- In and out extension table included

Article No.	10051717
Model No.	ORDS1601
Description	Drum Sander 16" 1.5kW 1PH
Specification	
Motor Power (V / Hz / W)	220 / 50 / 1500
Max. Sanding Width (mm)	405
Max. Workpiece Height (mm)	130
Drum Size (mm)	132 x 410
Drum Speed (rpm)	1440
Maximum Sanding Depth (mm)	5
Dimension (L x W x H) (mm)	1030 x 1000 x 1030
Weight (kg)	85

DUST COLLECTOR



10051718



10051719



10051720



10051721



10051722

Also available accessories for dust collector:



10084325
Cartridge Filter
for Finest Dust



10084323
Cotton Bag



10084324
Plastic-Bag



10084326
Cap 4"

Article No.	Model No.	Description	Number Of Intake Hole	Motor (V / Hz / W)	Unit size (L x W x H) (mm)	Weight (kg)
10051718	ORDC0101	Dust Collector 1HP 1PH	1 x 100 (4")	220 / 50 / 750	800 x 400 x 1500	24
10051719	ORDC1501	Dust Collector 1.5HP 1PH	2 x 100 (4")	220 / 50 / 1250	940 x 700 x 1950	41
10051720	OPDC0303	Dust Collector 3HP 3PH	3 x 100 (4")	380 / 50 / 2250	1500 x 750 x 1950	52
10051721	OPDC0503	Dust Collector 5HP 3PH	4 x 100 (4")	380 / 50 / 3750	2150 x 700 x 2350	85
10051722	OPDC0703	Dust Collector 7HP 3PH	4 x 100 (4")	380 / 50 / 5250	2700 x 700 x 2350	100



ACCESORIES MACHINE

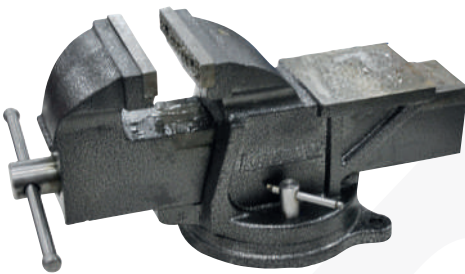
CASTING ANVIL



- Features :**
- Cast Iron build
 - 4 base lugs for permanent fixing

Article No.	Model No.	Description	Unit size (L x W x H) (mm)	Weight (kg)
KW0400366	ORBVA1105	Casting Anvil Bench Vise 11 lbs	500 x 250 x 190	4.8
KW0400367	ORBVA2411	Casting Anvil Bench Vise 24 lbs	330 x 300 x 220	11
KW0400368	ORBVA5525	Casting Anvil Bench Vise 55 lbs	400 x 180 x 200	25
KW0400369	ORBVA7534	Casting Anvil Bench Vise 75 lbs	430 x 210 x 240	34

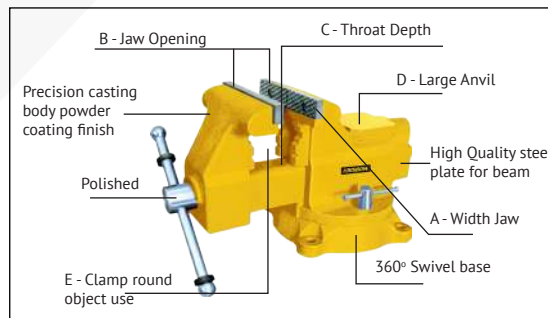
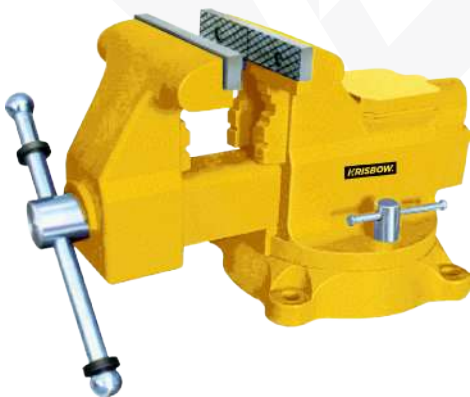
BENCH VISE



- Features :**
- Designed for professional
 - Cast iron body with reinforced stressed point
 - 120° swivel base

Article No.	Model No.	Description	Width of Jaws (mm)	Unit size (L x W x H) (mm)	Weight (kg)
KW0400035	ORBV0404	Bench Vise 4" with Swivel Base	100	710 x 350 x 190	11.25
KW0400036	ORBV0505	Bench Vise 5" with Swivel Base	125	450 x 200 x 250	20
KW0400037	ORBV0606	Bench Vise 6" with Swivel Base	150	520 x 220 x 270	30
KW0400038	ORBV0808	Bench Vise 8" with Swivel Base	200	600 x 250 x 300	47

AMERICAN BENCH VISE



- Features :**
- Cast Iron build
 - 4 base lugs for permanent fixing

Article No.	Model No.	Description	Width of Jaws (mm) / (inch)	Unit size (L x W x H) (mm)	Weight (kg)
KW0400362	ORBVAS0404	American Bench Vise 4" with 360° Swivel Base	100 / 4"	360 x 310 x 220	12.20
KW0400363	ORBVAS0505	American Bench Vise 5" with 360° Swivel Base	125 / 5"	430 x 190 x 230	16.20
KW0400364	ORBVAS0606	American Bench Vise 6" with 360° Swivel Base	150 / 6"	460 x 230 x 280	25.20

MULTI PURPOSE BENCH VISE



KW0400039

- Features :
- Precision casting body and powder coating finihsed.

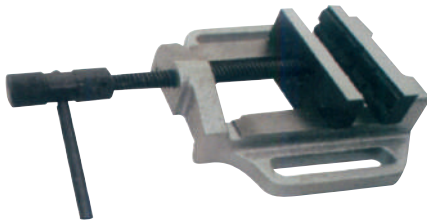
TABLE VISE



KW0400365

Article No.	Model No.	Description	Width of Jaws (mm)	Unit size (L x W x H) (mm)	Weight (kg)
KW0400039	ORBVM0505	Multi Purpose Bench Vise 5"	125	510 x 260 x 260	28
KW0400365	ORTV0202	Table Vise 2", Double Tail Type	50	200 x 180 x 80	2.7

DRILL VISE STANDARD



- Features :
- Precision casting body and powder coating finihsed.

Article No.	Model No.	Description	Width of Jaws (mm)	Unit size (L x W x H) (mm)	Weight (kg)
KW0400185	ORDV2525	Drill Vise Standard Type 2.5"	65	260 x 230 x 200	1
KW0400186	ORDV0303	Drill Vise Standard Type 3"	75	300 x 280 x 250	2
KW0400187	ORDV0404	Drill Vise Standard Type 4"	100	370 x 340 x 300	3.1
KW0400188	ORDV0606	Drill Vise Standard Type 6"	150	390 x 240 x 380	3.5

DRILL VISE QUICK



- Features :
- Precision casting body and powder coating finihsed.

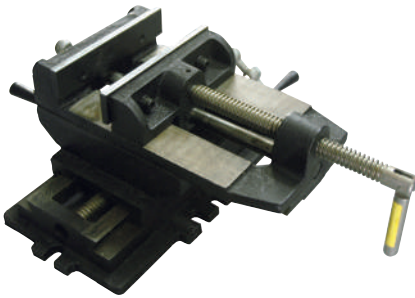
Article No.	Model No.	Description	Width of Jaws (mm)	Unit size (L x W x H) (mm)	Weight (kg)
KW0400189	ORDV0303Q	Drill Vise Quick Type 3"	78	320 x 300 x 220	2
KW0400190	ORDV0404Q	Drill Vise Quick Type 4"	100	370 x 350 x 260	3
KW0400191	ORDV0606Q	Drill Vise Quick Type 6"	150	400 x 250 x 320	3



ACCU-LOCK PRECISION MACHINE VISE


- Features :
- Cast iron construction
 - Crank handles for adjusting vise front to back

Article No.	Model No.	Description	Width of Jaws (mm)	Unit size (L x W x H) (mm)	Weight (kg)
KW0400309	ORMV0404	Accu-Lock Prec MachineVise 100mm, 100mm Opening	100	360 x 240 x 140	17
KW0400310	ORMV0606	Accu-Lock Prec MachineVise 160mm, 170mm Opening	160	470 x 150 x 300	33
KW0400311	ORMV0808	Accu-Lock Prec MachineVise 200mm, 210mm Opening	200	560 x 160 x 290	54

DRILL VISE CROSS


- Features :
- Cast iron construction
 - Crank handles for adjusting vise front to back and left to right

Article No.	Model No.	Description	Width of Jaws (mm)	Unit size (L x W x H) (mm)	Weight (kg)
KW0400192	ORDVC0303	Drill Vise Cross Type 3"	80	240 x 240 x 140	6
KW0400193	ORDVC0404	Drill Vise Cross Type 4"	102	270 x 270 x 160	9.5
KW0400194	ORDVC0606	Drill Vise Cross Type 6"	152	320 x 320 x 180	16.7

TILTING DRILLING MACHINE VISE


- Features :
- Cast iron construction
 - Crank handles for adjusting vise front to back

Article No.	Model No.	Description	Width of Jaws (mm)	Unit size (L x W x H) (mm)	Weight (kg)
KW0400306	ORDVT0303	Tilting Drilling Machine Vise 85mm, 80mm Opening	85	240 x 180 x 120	20
KW0400307	ORDVT0404	Tilting Drilling Machine Vise 115mm, 90mm Opening	115	250 x 215 x 140	27

TILTING MACHINE VISE


- Features :
- Cast iron construction
 - Crank handles for adjusting vise front to back

Article No.	Model No.	Description	Width of Jaws (mm)	Unit size (L x W x H) (mm)	Weight (kg)
KW0400315	ORTMV0403	Tilting Machine Vise100mm, 80mm Opening	100	335 x 195 x 165	19
KW0400316	ORTMV0504	Tilting Machine Vise125mm, 100mm Opening	125	390 x 240 x 180	29
KW0400317	ORTMV0605	Tilting Machine Vise160mm, 125mm Opening	160	170 x 150 x 80	43

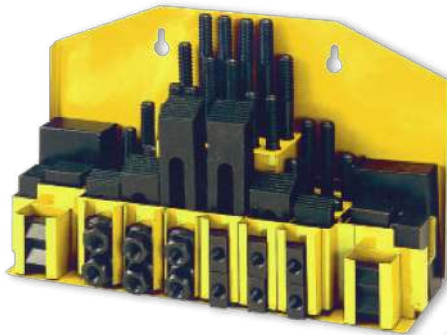
HYDRAULIC MACHINE VISE



- Features :
- Cast iron construction
 - Crank handles for adjusting vise front to back

Article No.	Model No.	Description	Width of Jaws (mm)	Unit size (L x W x H) (mm)	Weight (kg)
KW0400046	ORMVH0404	Hydraulic Machine Vise 175mm	108	450 x 160 x 250	28
KW0400047	ORMVH0505	Hydraulic Machine Vise 220mm	132	560 x 180 x 280	47
KW0400048	ORMVH0606	Hydraulic Machine Vise 300mm	151	640 x 340 x 210	63

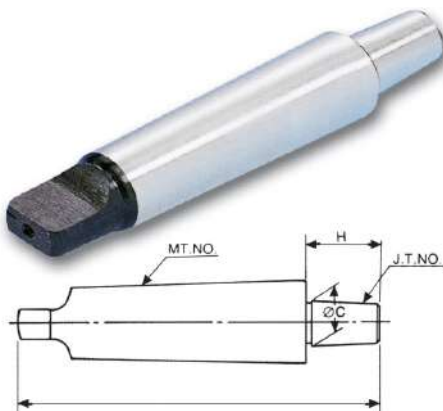
STEEL CLAMPING KIT



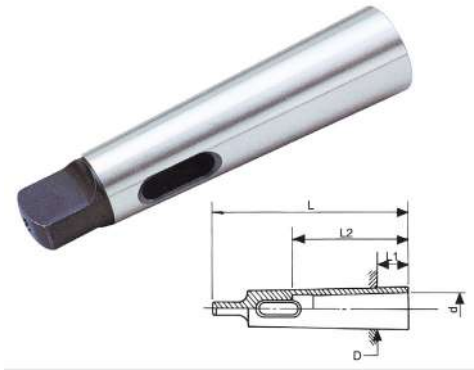
- Features :
- Heat treated steel black with oxide finish.
 - Block size 1" (25mm)

Article No.	Description	Table Slot (Stud Size)	Unit size (L x W x H) (mm)	Weight (kg)
KW0400383	Steel Clamping Kit M12 x 1.75P (52pcs)	14 (M12 - 1.75P)	385 x 235 x 190	9.4
KW0400370	Steel Clamping Kit M14 x 2.0P (52pcs)	16 (M14 - 2.0P)	450 x 130 x 220	11.1
KW0400371	Steel Clamping Kit 1/2 - 12W (52pcs)	5/8 (1/2 - 12W)	450 x 130 x 221	10.4
KW0400284	Steel Clamping Kit M16 x 2.0P (52pcs)	18 (M16 - 2.0P)	420 x 190 x 100	12.6

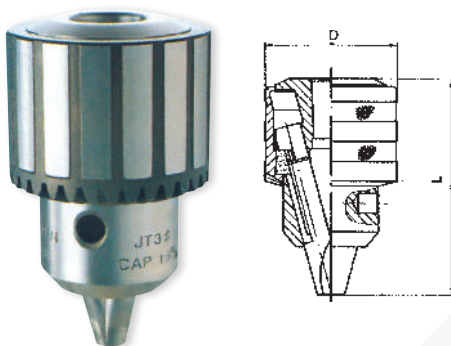
DRILL CHUCK ARBOR



Article No.	Description	Weight (kg)
KW0200217	Drill Chuck Arbor MT2 x B16	0.2
KW0200218	Drill Chuck Arbor MT2 x B18	0.21
KW0200219	Drill Chuck Arbor MT2 x JT3	0.24
KW0200220	Drill Chuck Arbor MT2 x JT33	0.24
KW0200221	Drill Chuck Arbor MT2 x JT6	0.22
10030270	Drill Chuck Arbor MT3 x JT3 3209-034	35
KW0200226	Drill Chuck Arbor MT3 x JT33	0.3
KW0201101	Drill Chuck Arbor MT3 x JT6 3209-030	0.4
KW0200223	Drill Chuck Arbor MT3 x B16	0.3
KW0200224	Drill Chuck Arbor MT3 x B18	0.4
10005096	Drill Chuck Arbor MT4 x JT3 3209-031A	0.7
KW0400521	Drill Chuck Arbor MT4 x JT6 3209-031	0.7
10027820	Drill Chuck Arbor MT5 x JT3 3209-032A	1.6
KW0400467	Drill Chuck Arbor MT5 x JT6 3209-032	1.6

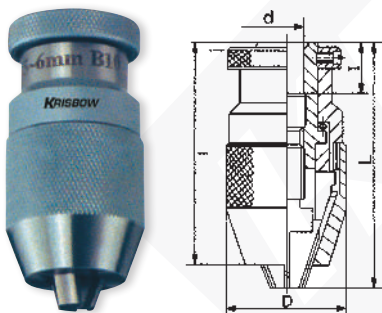
MORSE TAPER SLEEVE


Article No.	Description	Weight (kg)
KW0400748	Morse Taper Sleeve MT1 x MT2 3210-012	0.22
10003148	Morse Taper Sleeve MT1 x MT3 3210-011	0.2
KW0400749	Morse Taper Sleeve MT1 x MT4 3210-013	0.89
KW0400744	Morse Taper Sleeve MT2 x MT3 3210-001	0.5
KW0400519	Morse Taper Sleeve MT2 x MT4 3210-002	0.5
KW0400460	Morse Taper Sleeve MT2 x MT5 3210-003	1.4
KW0400522	Morse Taper Sleeve MT3 x MT4 3210-005	0.4
KW0400461	Morse Taper Sleeve MT3 x MT5 3210-006	1.3
KW0400921	Morse Taper Sleeve MT3 x MT6 3210-007	4
KW0400462	Morse Taper Sleeve MT4 x MT5 3210-008	1
KW0400922	Morse Taper Sleeve MT4 x MT6 3210-009	3.7
KW0400746	Morse Taper Sleeve MT5 x MT6 3210-010	2.9

KEY TYPE DRILL CHUCK

Features :

- Suitable for use on heavy duty and extra heavy duty
- For milling machine, lathe, drill machine and wood working machine

Article No.	Description	Weight (kg)
10522863	Key Type Drill Chuck 3 - 16mm J3, 3303 - 078A	0.96
KW0400919	Key Type Drill Chuck 1 - 13mm J6 3303 - 086	0.77

KEYLESS DRILL CHUCK

Features :

- Product of Grade M is used in high precision machine-tool, such as machining center and digital control machine-tool

Article No.	Description	Weight (kg)
KW0400358	Keyless Drill Chuck 1 - 13mm JT6 3302 - 069	1.02
KW0400863	Keyless Drill Chuck 0 - 13mm B16 3302 - 071	1.03
10040817	Keyless Drill Chuck 3-16mm JT6, 3302 - 073	1.33
KW0400951	Keyless Drill Chuck 3-16mm JT3 3302 - 074	1.33



Article No.	Description	Weight (kg)
10029865	Keyless Drill Chuck 0.5 - 8mm MT2 3301 - 030	0.8
KW0400393	Keyless Drill Chuck 1 - 13mm MT3 3301 - 033	1.4
KW0400614	Keyless Drill Chuck 1 - 13mm MT4 3301 - 034	1.8
KW0400476	Keyless Drill Chuck 1 - 13mm NT40 3301 - 039	1.8
10029866	Keyless Drill Chuck 1 - 13mm BT30 3301 - 071	1.4

FACE MILL ARBOR



- Features :
- Best selected quality tool steel hardened and precision
 - High rigidity and accuracy

Article No.	Description	Weight (kg)
KW0400423	Face Mill Arbor MT3 D25.4mm 3212 - 016	0.7
KW0400263	Face Mill Arbor NT40 D25.4mm 3212 - 004	1.2
KW0400264	Face Mill Arbor NT40 D31.75mm 3212 - 005	1.5
KW0400609	Face Mill Arbor BT30 D25.4mm 3212 - 201	1
KW0400225	Face Mill Arbor BT40 D25.4mm 3212 - 203	1.6

COLLET CHUCK SET



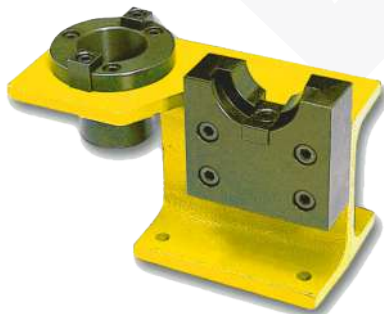
- Features :
- Best selected quality tool steel hardened and precision
 - High rigidity and accuracy



• Please notify drawbar or pull stud size when ordering

Article No.	Description	Set Range (mm)	Set Pieces (pcs)	Weight (kg)
KW0400081	Collet Chuck Set MT3 ER32 3 - 20mm 3024 - 403	3 – 20	18	4.1
KW0400075	Collet Chuck Set NT40 ER32 4 - 20mm 3021 - 402	4 – 20	11	4.2
KW0400386	Collet Chuck Set BT30 ER32 4 - 20mm 3031 - 404	4 – 26	23	7.3
KW0400601	Collet Chuck Set BT40 ER32 6 - 20mm 3032 - 406	6 – 20	6	3.8

TOOL SETTING STAND



10068253

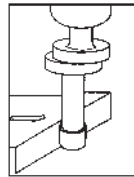
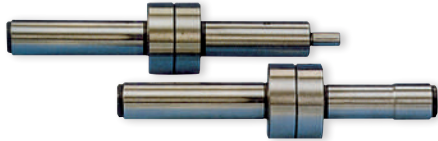
- Features :
- Cast iron construction
 - Excellent helping tools for simple, rapid and safe



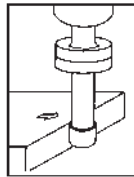
10054664

Article No.	Description	Weight (kg)
10068253	Tool Setting Stand BT30 3405 - 010	11.9
10054664	Tool Setting Stand BT40 3405 - 011	12.4

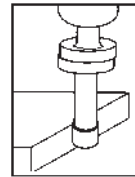
TOUCH POINT SENSOR ALLOY STEEL



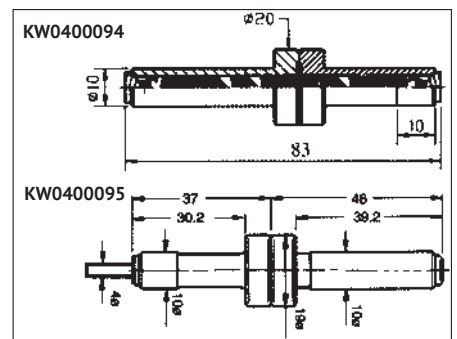
Spindle runs about 500rpm. move spindle closed to measuring surface.



When measuring probe touches workpiece, it looks in one part



When the probe and shank are in alignment, probe will slide out of rotating center. Now, the center spindle is located 5mm away from measuring surface.



Article No.	Description	Material	Weight (kg)
KW0400094	Touch Point Sensor Alloy Steel 3402 - 100	Alloy Steel 56 HRC	0.06
KW0400095	Touch Point Sensor Alloy Steel 3402 - 101	Alloy Steel 56 HRC	0.06

Z-ZERO SETTER



KW0400291

KW0400619

Features :

- Made of high grade steel
- Equipped with precision dial indicator

Article No.	Description	Height (mm)	Weight (kg)
KW0400291	Z-Zero Setter Standart Type 3403 - 020	50	1.1
KW0400619	Z-Zero Setter 50mm with Magnetic 3403 - 022	50	1.1

LIGHT DUTY LIVE CENTER



KW0400627



KW0400844



KW0400630

Features :

- Made of alloy steel under heat treatment
- Applicable for middle and high speed lathe with light load

Article No.	Description	Weight (kg)	Packing size (L x W x H) (mm)
KW0400627	Light Duty Live Center MT4 5001 - 004	1.3	195 x 58 x 56
KW0400628	Light Duty Live Center MT5 5001 - 005	3.2	268 x 56 x 77
KW0400844	High Speed Nc Live Center MT4A 5001 - 021	2.2	253 x 92 x 80
KW0400776	High Speed Nc Live Center MT5A 5001 - 022	4.5	303 x 108 x 101
KW0400630	Inter-Change Live Center MT4 5001 - 042	2	255 x 138 x 100
KW0400516	Inter-Change Live Center MT5 5001 - 061	5.5	275 x 147 x 97

GROUND PARALLELS



KW0400162



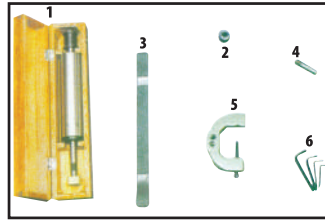
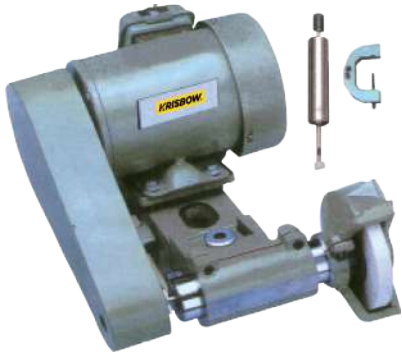
KW0400182

Features :

- Made of high grade alloy steel hardened and ground
- Accuracy : 0.01mm

Article No.	Description	Weight (kg)
KW0400162	Precision Parallels 16 - 50mm width 8mm (36pcs)	13
KW0400182	Ground Parallels 14 - 50mm width 10mm (28pcs)	11

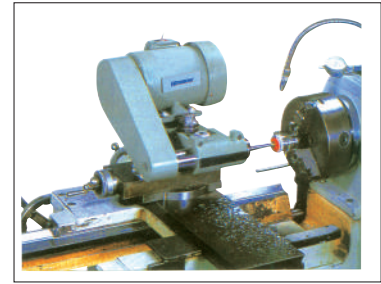
TOOL POST GRINDER ON LATHE



Standard Accessories

- 1 Internal spindle
- 2 Pulley for internal grinding
- 3 Flat belt
- 4 Diamond tool
- 5 Holder for diamond tool
- 6 Key folds (8, 5, 3, 2mm)

For Internal Grinding



Features :

- Both the main shafts have been specially designed, and the worldwide precision bearing is used to fit the main shafts which are made of alloy steel heat-treated for high wear resistance, precision, as well as maintaining to the lowest temperature for durability and stability.
- The motor base and the spindle bushing are adjustable.
- The motor is well designed with a special and nice appearance, The R.P.M. Of this motor varied depending on the size of the workpiece

Article No.	Description	Weight (kg)	Packing size (L x W x H) (mm)
KW0400491	Tool Post Grinder on Lathe 100, 5004 - 006	24	450 x 320 x 340
KW0400492	Tool Post Grinder on Lathe 125, 5004 - 005	35	520 x 430 x 350
KW0400288	Tool Post Grinder on Lathe 150, 5004 - 004	38	520 x 430 x 350
10122890	Tool Post Grinder on Lathe 165, 5004 - 003	48	520 x 430 x 350

PIPE THREADING MACHINE

Capacity
1/2 ~ 2"



10083577

Capacity
1/2 ~ 3"



10083578

Capacity
1/2 ~ 4"







10083579

Features :

- Use in BSPT size
- Center lock chuck

Article No	10083577	10083578	10083579
Description	Threading MCH 1/2 - 2" BSPT 750W 220V	Threading MCH 1/2 - 3" BSPT 900W 220V	Threading MCH 1/2 - 4" BSPT 1100W 220V
Specification			
Threading capacity	1/2" - 2"	1/2" - 3"	1/2" - 4"
Motor (kW/V/Ph)	0.75 / 220 / 1	0.9 / 220 / 1	11 / 220 / 1
Speed (Rpm)	27	11 ; 24	10 ; 22
Dimension (mm)	610 x 450 x 1240	780 x 520 x 1270	910 x 660 x 1300
Weight (kg)	86	130	160

Thread Dies  RT Type  CT Type	10083582	HSS Dies 1/2" - 3/4" BSPT RT	10083585	HSS Dies 1/2" - 3/4" BSPT CT	10083582	HSS Dies 1/2" - 3/4" BSPT RT
	10083583	HSS Dies 1" - 2" BSPT RT	10083586	HSS Dies 1" - 2" BSPT CT	10083583	HSS Dies 1" - 2" BSPT RT
Die Head 	10083640	Die Head Self-Opening 1/2" - 2" T50 RT	10083641	Die Head Quick-Opening 1/2" - 2" T80 CT	10083643	Die Head Self-Opening 1/2" - 2" T100 RT
			10083642	Die Head Quick-Opening 2 1/2" - 3" T80 CT	10083644	Die Head Self-Opening 2 1/2" - 4" T100 CT
Cut Tip Blade 	10083580	Cutting Blade T50 T80	10083580	Cutting Blade T50 T80	10083581	Cutting Blade T100



DRILL MACHINE

DRILLING MACHINE



Max. Drilling Cap 16mm

Features :

- Pulley system
- Auto feeding
- Better rigidity due to construction

Standard Accessories :

- Drill chuck
- Key chuck
- Arbor punch

Optional Accessories :

- Drill vise
- Steel clamping kit
- Morse taper sleeve

Article No.	KW1500941
Model No.	ORDF1642
Description	Drilling Machine With Auto Feed Spindle 16mm
Specification	
Main Motor (kW / V / Ph)	0.75 / 380 / 3
Max. Drilling Capacity (mm)	16
Diameter of Column (mm)	85
Spindle Stroke (mm)	100
Spindle Taper	MT2
Spindle Speed (rpm)	290 - 2400
Distance Spindle Nose to Table (mm)	425
Working Area of Table (mm)	250 x 250
Working Area of Base (mm)	255 x 215
Dimension (L x W x H) (mm)	700 x 390 x 1040
Weight (kg)	108



Max. Drilling Cap 25mm

Features :

- Pulley system
- Auto feeding
- Better rigidity due to construction
- Coolant system

Standard Accessories :

- Drill chuck
- Key chuck
- Arbor punch

Optional Accessories :

- Drill vise
- Steel clamping kit
- Morse taper sleeve

Article No.	KW1500942
Model No.	ORDF2568
Description	Drilling Machine With Auto Feed Spindle 25mm
Specification	
Main Motor (kW / V / Ph)	1.5 / 380 / 3
Max. Drilling Capacity (mm)	25
Diameter of Column (mm)	102
Spindle Stroke (mm)	130
Spindle Taper	MT3
Spindle Speed (rpm)	230 - 2160
Distance Spindle Nose to Table (mm)	680
Working Area of Table (mm)	330 x 380
Working Area of Base (mm)	300 x 320
Dimension (L x W x H) (mm)	820 x 490 x 1760
Weight (kg)	200

DRILLING AND TAPPING MACHINE


Max. Drilling Cap 16mm
Max. Tapping Cap M12



Max. Drilling Cap 16mm
Max. Tapping Cap M16



Max. Drilling Cap 25mm
Max. Tapping Cap M24

Features :

- Pulley system
- Foot switch
- Better rigidity due to construction
- Auto reverse

Standard Accessories :

- Drill chuck
- Key chuck
- Arbor punch

Optional Accessories :

- Drill vise
- Steel clamping kit
- Morse taper sleeve

Article No.	KW1500868
Model No.	ORDTR1634
Description	Drilling and Tapping Machine 16mm M12 Auto Reverse
Specification	
Main Motor (kW / V / Ph)	0.75 / 380 / 3
Max. Drilling Capacity (mm)	16
Max. Tapping Capacity (mm)	M12
Diameter of Column (mm)	70
Spindle Stroke (mm)	100
Spindle Taper	MT2
Spindle Speed (rpm)	320 - 2700
Distance Spindle Nose to Table (mm)	340
Working Area of Table (mm)	265 x 265
Working Area of Base (mm)	250 x 300
Dimension (L x W x H) (mm)	780 x 450 x 950
Weight (kg)	100

Article No.	KW1500869
Model No.	ORDTR1642
Description	Drilling and Tapping Machine 16mm M16 Auto Reverse
Specification	
Main Motor (kW / V / Ph)	0.75 / 380 / 3
Max. Drilling Capacity (mm)	16
Max. Tapping Capacity (mm)	M16
Diameter of Column (mm)	85
Spindle Stroke (mm)	93
Spindle Taper	MT2
Spindle Speed (rpm)	160 - 1820
Distance Spindle Nose to Table (mm)	425
Working Area of Table (mm)	320 x 320
Working Area of Base (mm)	250 x 250
Dimension (L x W x H) (mm)	790 x 460 x 1140
Weight (kg)	108

Article No.	KW1500870
Model No.	ORDTR2562
Description	Drilling and Tapping Machine 25mm M24 Auto Reverse
Specification	
Main Motor (kW / V / Ph)	1.5 / 380 / 3
Max. Drilling Capacity (mm)	25
Max. Tapping Capacity (mm)	M24
Diameter of Column (mm)	102
Spindle Stroke (mm)	130
Spindle Taper	MT3
Spindle Speed (rpm)	160 - 1880
Distance Spindle Nose to Table (mm)	620
Working Area of Table (mm)	330 x 380
Working Area of Base (mm)	300 x 320
Dimension (L x W x H) (mm)	890 x 490 x 1760
Weight (kg)	210

COLOUMN DRILLING MACHINE


10538433

Features :

- Thin oil lubrication is available for drilling diameter 50mm, grease lubrication is available for others
- Superior quality of gears with hardened and lapped gears of surface
- Model of machine is electromagnetism clutch transmission feed

Standard Accessories :

- Tool shank adaptor
- Key type drill chuck
- Wedge for taper shank tool

Optional Accessories :

- Diameter 6 - 16 mm collets
- Collet shanks
- 125mm precision vise

Article No.	10538433	10538434
Description	Coloumn Drilling Machine ZN5032A PRO	Coloumn Drilling Machine ZN5050A PRO
Specification		
Motor (kW / V / Ph)	1.2 / 380 / 3	2.2 / 380 / 3
Max. Drilling Capacity (mm)	32	50
Spindle Stroke (mm)	155	200
Spindle Taper	MT4	
Spindle Speed (rpm)	125 – 3030	54 – 1400
Working Area of Table (mm)	370 x 360	445 x 435
Diameter of Column (mm)	120	160
Dimension (L x W x H) (mm)	880 x 520 x 2220	940 x 680 x 2405
Weight (kg)	500	650

RADIAL DRILLING MACHINE


10538435

Features :

- Clamping and speed cahnge of spindle is archived by hydraulic clamping system
- The spindle is automatical feed as well as micro feed (16 steps)
- The machine is mainly used to machining holes, such as drilling,reaming and chambering etc.
- Arm can swivel $\pm 180^\circ$

Standard Accessories :

- Box table
- Coolant system
- Foundation bolt
- Tools

Optional Accessories :

- Reducing sleeve
- Drift
- Tilting work table



Article No.	10538435	10538436	10538437
Description	Radial Drilling Machine Z3050X16/1 PRO	Radial Drilling Machine Z3063X20/1 PRO	Radial Drilling Machine Z3080X25/1 PRO
Specification			
Motor (kW / V / Ph)	4 / 380 / 3	5.5 / 380 / 3	7.5 / 380 / 3
Max. Drilling Capacity (mm)	50	63	80
Travel of Spindle Head (mm)	1250	1550	2000
Spindle Stroke (mm)	315	400	450
Spindle Taper	MT5	MT5	MT6
Spindle Speed (rpm)	25 – 2000	20 – 1600	16 – 1250
Number of Spindle Speed	12	16	16
Table Size (mm)	500 x 630	630 x 800	800 x 1000
Dimension (L x W x H) (mm)	2500 x 1070 x 2840	3080 x 1250 x 3400	3730 x 1400 x 4025
Weight (kg)	3500	7000	11000

MILLING MACHINE



MILLING, DRILLING MACHINE

- Milling 20mm
- Drilling 30mm
- MT3 Spindle Tapper

- Milling 25mm
- Drilling 30mm
- Horizontal Milling
- NT40 Spindle Tapper

- Max. Milling Cap 20mm
- Max. Drilling Cap 32mm
- Max. Tapping Cap M16



10482824



10033527



KW1500260

Features :

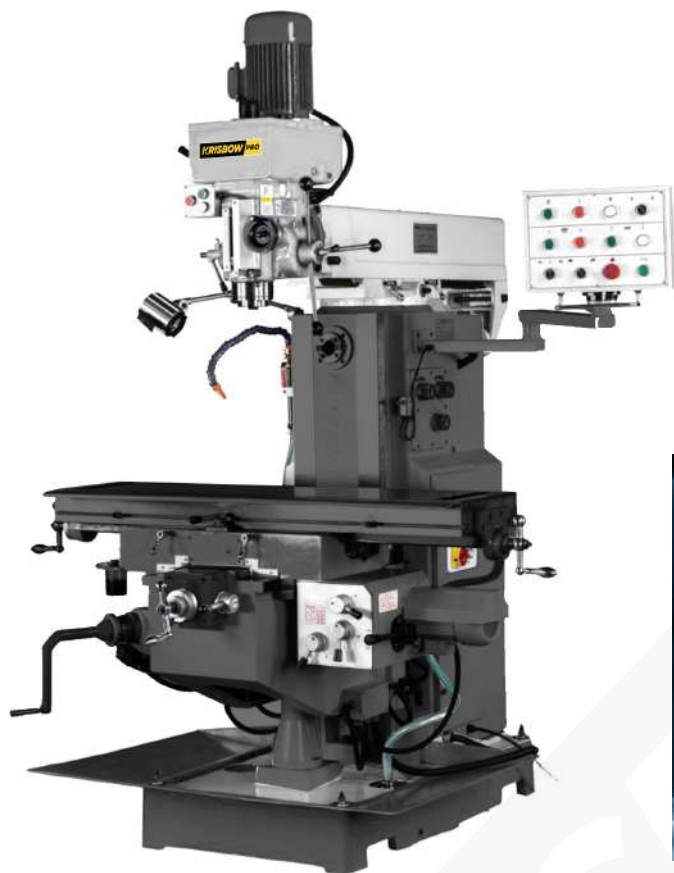
- Pulley transmission (10482824)
- Gear head transmission (10033527, KW1500260)
- Power table feed (10033527)
- DRO included (10033527)

Features KW1500260 :

- Heavy duty
- Clockwise & Counter clockwise revolution

Article No.	10482824	10033527	KW1500260
Model No.	OPVM1530	OPMMU30	OPMDT6003
Description	Milling, Drilling Machine 30mm With Stand	Universal Milling Machine	Milling, Drilling, Tapping Machine 32mm
Specification			
Motor (kW / V / Ph)	1.5 / 220 / 1	1.5 / 380 / 3	1 / 380 / 3
Max. Drilling Capacity (mm)	30	30	32
Max. Milling Capacity (mm)	20	25	20
Spindle Stroke (mm)	120	120	130
Spindle Taper	MT3	NT40	MT3
Working Area of Table (mm)	730 x 210	1000 x 240	585 x 190
Spindle Speed (rpm)	100 - 2080	60 - 1350	50 - 1250
Dimension (L x W x H) (mm)	950 x 760 x 1150	2270 x 1500 x 2100	1000 x 900 x 1900
Weight (kg)	280	900	310

UNIVERSAL MILLING MACHINE



10538425

DRO (DIGITAL READOUT)



For Universal Milling Machine
X6332Z + DRO3A PRO
(10538426)



Standard Accessories :

- Drill chuck
- Reduction sleeve
- Inner hexagon spanner
- Milling arbor
- Spindle arbor
- Draw bar
- Machine vise
- Crank handle
- Wedge shifter
- Wrench
- 1 Set milling collet

Optional Accessories :

- Air draw bar
- Universal dividing head
- Horizontal / vertical rotary table
- Clamping kit set
- Z axis lifting motor
- Slotting head

Features :

- The machine is with gear driven milling head and the spindle can be automatic feed
- Rectangular table guide ways with high stability
- Automatic feeds on X, Y axes. Motorized lifting and lowering of table on Z axis

Article No.	10538425	10538426
Description	Universal Milling Machine X6332Z PRO	Universal Milling Machine X6332Z + DRO3A PRO
Specification		
Motor (kW / V / Ph)		2.2
Max. Drilling Capacity (mm)		30
Max. Milling Capacity (mm)		25
Spindle Stroke (mm)		120
Spindle Taper		ISO40
Spindle Speed Vertical (rpm)		90-2000 (8)
Spindle Speed Horizontal (rpm)		40-1300 (12)
Working Area of Table (mm)		1320 x 320
Dimension (L x W x H) (mm)		1710 x 1720 x 2330
Weight (kg)		2000

UNIVERSAL MILLING MACHINE



10538422

DRO (DIGITAL READOUT)



For Universal Milling Machine X6328B + DRO3A PRO (10538423)

Standard Accessories :

- Drill chuck
- Spindle arbor
- Wedge shifter
- Reduction sleeve
- Draw bar
- Wrench
- Inner hexagon spanner
- Machine vise
- 1 Set milling collet
- Milling arbor
- Crank handle

Optional Accessories :

- Air draw bar
- Universal dividing head
- Horizontal / vertical rotary table
- Clamping kit set
- Z axis lifting motor
- Slotting head

Features :

- It is with Taiwan 3HP Belt type milling head with high speed and spindle can automatic feed
- The machine head can swivel 45°
- X, Y axis automatic feed, Z axis with motorized lifting and lowering of table

Article No.	10538422	10538423
Description	Universal Milling Machine X6328B PRO	Universal Milling Machine X6328B + DRO3A PRO
Specification		
Motor (kW / V / Ph)		2.2(V/H)
Max. Drilling Capacity (mm)		28
Max. Milling Capacity (mm)		20
Spindle Stroke (mm)		127
Spindle Taper		ISO40
Spindle Speed Vertical (rpm)		66-4514/16 setps
Spindle Speed Horizontal (rpm)		40-1300/12steps
Working Area of Table (mm)		1120 x 260
Dimension (L x W x H) (mm)		1710 x 1720 x 2330
Weight (kg)		1550

VERTICAL MILLING MACHINE



Standard Accessories :

- Milling collet chuck set
- Clamping kits set
- Dro 2 axes for X and Y axes
- Power feed device for X axis
- Coolant pump and hose
- Oil collection tray
- Machine vise
- Tools and tool box
- Machine lamp

Optional Accessories :

- Air draw bar
- Universal dividing head
- Horizontal / vertical rotary table
- Clamping kit set
- Z axis lifting motor
- Slotting head

Features :

- It is with Taiwan 3HP Belt type milling head with high speed and manual feed spindle
- X axis power feed

Article No.	10538428
Description	Vertical Milling Machine X6325 + DRO2A
Specification	
Motor (kW / V / Ph)	2.2
Working Area of Table (mm)	1270 x 254
Table Loading (kg)	280
Spindle Stroke (mm)	127
Spindle Taper	ISO30
Spindle Speed Vertical (rpm)	65-4500
Spindle Speed Horizontal (rpm)	90°
Dimension (L x W x H) (mm)	1710 x 1720 x 2330
Weight (kg)	2000

LATHE MACHINE

BENCH LATHE MACHINE



DRO (DIGITAL READOUT)



- Provides a numerical display position
- Help prevent common error

Standard Accessories :

- Steady rest
- Follow rest
- Work lamp
- Face plate
- Reduce sleeve
- Dead centers
- Coolant system
- Full length splash guard and chip tray
- Three jaw self centering chuck
- Four jaw independent chuck
- Four station tool post
- Foot brake pedal
- Thread chasing dial
- Operation box with tools
- Operation manual

Features :

- Include with DRO (Digital Read Out)
- Pedal for braking system
- Tailstock sleeve and handwheel with adjustable precision scale

Article No.	10553116
Model No.	OPLMU3610
Description	Bench Lathe Machine 360UX1000
Specification	
Main Motor (kW / V / Ph)	2.2 / 380 / 3
Max. Swing Over Bed (mm)	370
Max. Swing Over Cross Slide (mm)	220
Max. Swing in Gap (mm)	505
Distance Between Center (mm)	1000
Bed Width (mm)	189
Inch Thread (TPI)	4 – 56
Metric Thread (mm)	0.4 – 7
Tool shank (mm)	16 x 16
Taper of Tailstock	MT4
Dimension (mm)	1880 x 640 x 1360
N.W / GW (kg)	550 / 650

GAP BED LATHE MACHINE



10550322

Features :

- Hardened and ground bed guideways
- Main spindle running in an oil bath hardened and ground mounted on 2 adjustable precision taper roller bearings
- Central lubrication at the bed slide

Standard Accessories :

- Steady rest
- Follow rest
- Work lamp
- Face plate
- Reduce sleeve
- Dead centers
- Coolant system
- Live center
- Full length splash guard and chip tray
- Three jaw self centering chuck
- Four jaw independent chuck
- Four station tool post
- Foot brake pedal
- Thread chasing dial
- Operation box with tools
- Operation manual



10538429

Features :

- Pedal for braking system
- Tailstock sleeve and handwheel with adjustable precision scale

Article No.	10550322	10538429
Model No.	OPLM4210	OPLM4110C
Description	Gap Bed Lathe Machine 420 x 1000mm	Gap Bed Lathe Machine C6241X1000
Specification		
Main Motor (kW / V / Ph)	2.2 / 380 / 3	5.5 / 380 / 3
Max. Swing Over Bed (mm)	420	410
Max. Swing Over Cross Slide (mm)	250	220
Max. Swing in Gap (mm)	580	640
Distance Between Center (mm)	1000	
Bed Width (mm)	250	300
Inch Thread (TPI)	2 - 72	2 - 112
Metric Thread (mm)	0.2-14	0.1 - 14
Tool shank	20 x 20	25 x 25
Taper of Tailstock	MT4	
Dimension	2060 x 900 x 1650	2250 x 1120 x 1620
N.W / G.W (kg)	1160 / 1350	1580 / 1844

GAP BED LATHE MACHINE


10538430

Features :

- Hypercoustic quenched and accurate grinded bedway and dovetail of saddle
- Ø 58 mm spindle bore
- One piece cast iron base, with well rigidity

Standard Accessories :

- Steadyrest
- Followrest
- Worklamp
- Faceplate
- Reducesleeve
- Deadcenters
- Coolantsystem
- Live center
- Full length splash guard and chip tray
- Three jaw selfcentering chuck
- Four jaw independent chuck
- Four station tool post
- Foot brake pedal
- Thread chasing dial
- Operation boxwith tools
- Operationmanual
- Thread Chasing Dial

Optional Accessories :

- Digital Read Out (DRO)
- Tool post guard
- Chuck guard
- Taper turning attachment
- Quick change toolpost



10538431

Article No.	10538430	10538431
Model No.	OPLM4115	OPLM5115
Description	Gap Bed Lathe Machine C6241X1500	Gap Bed Lathe Machine C6251X1500
Specification		
Main Motor (kW / V / Ph)	5.5 / 380 / 3	7.5 / 380 / 3
Max. Swing Over Bed (mm)	410	510
Max. Swing Over Cross Slide (mm)	220	305
Max. Swing in Gap (mm)	640	735
Distance Between Center (mm)	1000	1500
Bed Width (mm)	300	350
Inch Thread (TPI)	2 - 112	2 - 112
Metric Thread (mm)	0.1 - 14	0.2 - 14
Tool shank	25 x 25	25 x 25
Taper of Tailstock	MT4	MT5
Dimension	2800 x 1120 x 1620	2850 x 1150 x 1430
N.W / GW (kg)	1745 / 2049	2335 / 2700

GAP BED LATHE MACHINE



Features :

- Hypercoustic quenched and accurate grinded bedway and dovetail of saddle
- Ø 58 mm spindle bore
- One piece cast iron base, with well rigidity

Standard Accessories :

- Steadyrest
- Followrest
- Worklamp
- Faceplate
- Reducesleeve
- Deadcenters
- Coolantsystem
- Live center
- Full length splash guard and chip tray
- Three jaw selfcentering chuck
- Four jaw independent chuck
- Four station tool post
- Foot brake pedal
- Thread chasing dial
- Operation boxwith tools
- Operationmanual
- Thread Chasing Dial

Optional Accessories :

- Digital Read Out (DRO)
- Tool post guard
- Chuck guard
- Taper turning attachment
- Quick change toolpost

Article No.	10538432
Model No.	OPLM6620
Description	Gap Bed Lathe Machine C6266x2000
Specification	
Main Motor (kW / V / Ph)	7.5 / 380 / 3
Max. Swing Over Bed (mm)	660
Max. Swing Over Cross Slide (mm)	440
Max. Swing in Gap (mm)	900
Distance Between Center (mm)	2000
Bed Width (mm)	400
Inch Thread (TPI)	7/16-80
Metric Thread (mm)	0.45 - 120
Tool shank	25 x 25
Taper of Tailstock	MT5
Dimension	3710 x 1230 x 1600
N.W / GW (kg)	3345 / 3835

GRINDER MACHINE



GRAVER GRINDER



Features :

- Simple setting
- Fast & constant invariable grinding
- Highly efficient

Article No.	10119232
Model No.	ORGG1201
Description	Graver Grinder
Specification	
Motor (kW / V / Ph)	0.25 / 220 / 1
Grinding Wheel Speed (rpm)	5000
Grinding Wheel Size (mm)	Ø 100 x 50 x Ø 20
Clamping Range Collet (mm)	Ø 1 – Ø 12
Travel Tool Holder (mm)	140
Dimension (L x W x H) (mm)	350 x 450 x 350
Weight (kg)	45

UNIVERSAL TOOL AND CUTTER GRINDER



10119251

Features :

- Simple setting
- Fast & constant invariable grinding
- Highly efficient

Article No.	10119251
Model No.	OPUG0601
Description	Universal Cut and Tool Grinder Machine (1Motor)
Specification	
Motor 1 (kW / V / Ph)	0.55 / 380 / 3
Grinding Wheel Size (mm)	150 x 32 x 5
Area of Operating Table (mm)	130 x 550
Longitudinal Travel of The Operating Table (mm)	150
Horizontal Travel of The Operating Table (mm)	300
Height of Head Holder (mm)	135
Dimension (L x W x H) (mm)	740 x 630 x 670
Weight (kg)	160



10119252

Article No.	10119252
Model No.	OPUG0602
Description	Universal Cut and Tool Grinder Machine (2Motor)
Specification	
Motor 1 (kW / V / Ph)	0.55 / 380 / 3
Motor 2 (kW / V / Ph)	0.08 / 380 / 3
Grinding Wheel Size (mm)	150 x 32 x 16
Area of Operating Table (mm)	130 x 680
Longitudinal Travel of The Operating Table (mm)	150
Horizontal Travel of The Operating Table (mm)	400
Height of Head Holder (mm)	135
Dimension (L x W x H) (mm)	700 x 700 x 700
Weight (kg)	209

Optional Accessories:



KW1500769

- Use for:
- Resharpener End Mill Cutter
 - Resharpener Cutting Flute Edge and Center Cutting Edge.



KW1500770

- Use for:
- Resharpener Ball Nose Cutter
 - Resharpener Cutting Flute Edge and Radius Cutting Edge.



KW1500867

- Use for:
- Resharpener Multifunctional Cutter and Tools

WOOD WORKING

SITE TABLE SAW



Optional Accessories:



Blade (10082120)

Features :

- Safety blade cover
- Tilting blade
- Extension table fits both left side & rear side handle and wheel for easy transportation

Article No.	10051707
Model No.	OPTS1201
Description	Site Table Saw 12" 2.2kW 1PH
Specification	
Motor Power (V/Hz/W)	220 / 50 / 2200
Circular Saw Size	Ø 300(12")
Max. Cutting 90° (mm)	85
Max. Cutting 45° (mm)	60
Main Table Size (mm)	800 x 550
Dimension (L x W x H) (mm)	1100 x 1150 x 1150
Weight (kg)	62

PANEL SAW



Features :

- Heavy duty panel saw
- Cutting of large panel up to 320cm
- Include scoring saw



Article No.	10051708
Model No.	OPPS1203
Description	Panel saw 12" 4 kW 3PH
Specification	
Motor Power (V / Hz / W)	380 / 50 / 4000
Max. Thickness Workpiece 90° (mm)	95
Max. Thickness Workpiece 45° (mm)	55
Sliding Table Size (mm)	3200
Blade Tilt (°)	45° - 90°
Dimension (L x W x H) (mm)	3250 x 3150 x 900
Weight (kg)	550

WOOD BANDSAW



12
inch

10051709



16
inch

10051710



22
inch

10051711

Features :

- Safety switch in upper and lower doors
- Include mitre gauge and rip fence
- Tilting table

Article No.	10051709	10051710	10051711
Model No.	OPWB1201	OPWB1601	OPWB2203
Description	Wood Bandsaw 12" 550W 1PH	Bandsaw 16" 2.2KW 1PH	Bandsaw 22" 3.5KW 3PH
Specification			
Motor Power (V/Hz/W)	220 / 50 / 550	220 / 50 / 2200	380 / 50 / 3500
Bandsaw Wheel Dia (mm) (")	300 (12")	400 (16")	550 (22")
Max. Thickness Workpiece (mm)	180	375	550
Table Size (°)	500 x 400	535 x 485	700 x 485
Blade Size (mm)	2270 x 6-15	3050 x 6-20	3855 x 10 - 40
Dimension (L x W x H) (mm)	800 x 600 x 1640	800 x 740 x 1750	970 x 750 x 1970
Weight (kg)	77	150	310

THICKNESSER



Optional Accessories:



Spare Blade
10087784

Features :

- Safety switch in upper and lower doors
- Include mitre gauge and rip fence
- Tilting table

Article No.	10051706
Model No.	OPTH1618
Description	Thicknesser 16" x 18" 3kW 1PH
Specification	
Motor Power (V / Hz / W)	220 / 50 / 3000
Thicknessing Table Size (mm)	410 x 750
Max cutting depth (mm)	2
Max. Thickness Workpiece (mm)	220
Max. Width Workpiece (mm)	410 (16")
Cutter Block Speed (rpm)	4050
Cutting Knife (pcs)	4
Dimension (L x W x H) (mm)	650 x 890 x 1020
Weight (kg)	230

PLANNER THICKNESSER



- Features :
- Fence tilts 45° for safe chamfering operation
 - Dual functions. Planer and Thicknesser
 - Quick adjustment lever

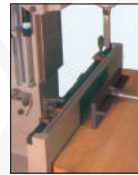
Optional Accessories:



**Spare Blade
10087783**

Article No.	10051705
Model No.	OPPT1207
Description	Planer and thicknesser 12" x 7" 2.2kW 3PH
Specification	
Motor Power (V / Hz / W)	380 / 50 / 2200
Planing Table Size (mm)	310 x 1285
Thicknessing Table Size (mm)	310 x 600
Max cutting depth (mm)	2
Max. thicknessing Width (mm)	310
Max. thicknessing Height (mm)	180
Cutter Block Speed (rpm)	2900
Cutting Knife (pcs)	3
Dimension (L x W x H) (mm)	1300 x 580 x 960
Weight (kg)	179

CHISEL MORTISER



Scale in both metric and imperial system



Two position depth stop



Ratchet setting handle



Cabinet stand

- Features :
- Quick-release vice
 - Ratchet setting handle
 - Include cabinet stand

Article No.	10051714
Model No.	OPCM1601
Description	Chisel Mortiser 750W 1PH
Specification	
Motor Power (V / Hz / W)	220 / 50 / 750
Drill Chuck Capacity (mm)	3 - 16
Max. Mortising Depth (mm)	76
Chisel To Table (mm)	210
Spindle Speed (rpm)	1400
Table Size (mm)	400 x 150
Dimension (L x W x H) (mm)	400 x 460 x 1450
Weight (kg)	80

SINGLE HORIZONTAL DRILL

Features :

- Made of cast iron body
- For heavy duty use
- 2 way rotation for curve shape

Article No.	10051713
Model No.	OPHD1603
Description	Single Horizontal Drill 2.2kW 3PH
Specification	
Motor Power (V / Hz / W)	380 / 50 / 2200
Max Chuck Size (mm)	16
Speed (rpm)	2800
Max. Height (mm)	110
Max. Vertical Travel (mm)	175
Max Cross Travel (mm)	140
Table Size (mm)	460 x 190
Dimension (L x W x H) (mm)	600 x 700 x 1050
Weight (kg)	110

WOOD COPY LATHE

Features :

- Duplicating device
- Variable speed
- Include stand

Optional Accessories:

**Wood Turning Chisel Set
10190556**

Article No.	10085498
Model No.	OPCL1440
Description	Wood Copy Lathe 550W 1000mm
Specification	
Motor Power (V / Hz / W)	220 / 50 / 550
Swing overbed (mm (Inch))	350 (14)
Distance between center (mm (Inch))	1000 (40)
Spindle speed (rpm)	Variable Speed (50HZ) 500 – 2000
Max cutting travel (mm)	85
Head and tailstock taper (mm)	MT2
Dimension (L x W x H) (mm)	1450 x 480 x 1220
Weight (kg)	80

SPINDLE MOULDER

Features :

- Safety switch in panel box
- Feed roller to smooth material feeding

Article No.	10051712
Model No.	OPSM0803
Description	Spindle Moulder 2.8kW 3PH
Specification	
Motor Power (V / Hz / W)	380 / 50 / 2800
Max Spindle Size (mm)	Ø 200
Spindle Bore (mm)	Ø 30
Speed (rpm)	1800 / 3000 / 6000 / 9000
Max Thickness Workpiece (mm)	100
Table Size (mm)	640 x 710
Table Height (mm)	900
Dimension (L x W x H) (mm)	1200 x 1250 x 1300
Weight (kg)	170

Note: Spindle cutter not include

SPINDLE MOULDER ROUTER



- Features :
- Alumunium fence
 - Cast iron table
 - Speed read out



Speed Read Out



Changeable Spindle

Article No.	10121482
Model No.	OPSM0601
Description	Spindle Moulder Router 1500KW
Specification	
Motor Power (V / Hz / W)	220 / 50 / 1500
Spindle Diameter	"Interchangeable 30mm + router bit cutter spindle with 8mm + 12mm or 1/4" + 1/2" " two collet"
Table Size (mm)	600 x 400
Sliding Table (mm)	1000 x 218
Tool Diameter Max (mm)	150
Spindle Speed (rpm)	1400 / 4000 / 6000 / 8000
Dimension (L x W x H) (mm)	1200 x 1250 x 1300
Weight (kg)	100

OSCILATING SPINDLE SANDER



- Features :
- Oscilating spindle
 - Tilt table to 45°
 - Compact design



Article No.	10051716
Model No.	OPSS6001
Description	Oscilating Spindle Sander 370W 1PH
Specification	
Motor Power (V / Hz / W)	220 / 50 / 370
Spindle Size (mm)	"Ø 51 x 140, Ø 38 x 140, Ø 38 x 87"
Oscilating Travel (mm)	24
Oscilating Per Minute (OPM)	60
Table Tilt (°)	0 - 45°
Table Size (mm)	370 x 370
Dimension (L x W x H) (mm)	450 x 450 x 1040
Weight (kg)	33

KRISBOW®

Distributed by: